



imperial
World Trade Pvt. Ltd.

**“Our Moto is to Provide Excellence
Performance with Best Quality”**



Website: www.imperialworldtrade.com



Bucket Elevator

We offered both type of **Bucket Elevator** open type and closed type. Belt conveyor is use for transfer the material powder, grain or lumps types of material all industries will needs. Elevator in two types:

1. Belt Bucket Elevator 2. Chain bucket Elevator.

Capacity Range:- Up to 500 TPH with Customized design.

Hammer Crusher

We are a leading manufacturer and suppliers of **Hammer Crusher** these are widely used in coal handling plants and thermal power stations. Manufactured using high grade raw material these are available at market leading price.

Features :

- Capacity Range : 500kg tp 250 TPH
- Durable
- Long Service Life



Jaw Crusher

Jaw Crusher can crush toughest materials like granite, basalt, iron ore etc. The crushers have gained huge appreciation in the market for their host of qualitative features.

Specification:

- Feed Size : 125mm to 1000mm
- Capacity : Up to 500 TPH

Features :

- Application specific design
- Reliable usage
- Easy to use

Vibrating Screen

We are passionately engaged in providing an exclusive assortment of **Vibrating Screen** that is manufactured using high-grade components and modern technology in accordance with set industrial standards. These are available in different specifications according to client-specific requirements and are highly admired for their optimum performance and premium quality. Apart from this, the offered range is stringently tested against diverse parameters of quality under the vigilance of our skilled professionals.



Rotary Screen

We are professionally managed organization indulged in manufacturing and supplying wide Range of **Rotary Screen**, which are manufactured using quality tested raw materials and advanced technology. Used for regulating the feeding of jaw or cone crusher, these feeders also regulate the feed rate to the crusher by eliminating waste materials. The offered range of Rotary Screen is available in different designs, shapes and sizes to cater to the diverse requirements of esteemed customers.



Industrial Washing Machine

The offered machines are tested on various quality parameters under the supervision of our quality controllers. To fulfill the diverse textile industry needs, we make the horizontal **Washing Machines** available with different capabilities at market leading prices.

Features :

- Smooth functionality
- Efficient performance
- Low power consumptions

Tumbler Dryer Machine

IWTPL are recognized as one of the leading manufacturers, exporters and suppliers of **Textile Tumble Dryer** that are highly demanded in the global market for their high performances, precise work, user friendly operations and long service life. These dryers are manufactured using optimum quality components.

Features :

- Long service life
- Durable
- Cost effectiveness



Spares of Various Equipments

Conveyor Rollers & Idlers

Hammers

Elevator Buckets

Liner Plates

Other Products

Rod Gate

Rack & Pinion Gate

Sliding Gate

Sector Gate

Powered Roller Conveyor

Roller conveyors are great for handling heavy product with smooth bottom or on pallets. **Powered Roller Conveyor** used for warehouse operations that handle steel or structural shapes and using pallets or skids. This is a very versatile conveyor for package handling, accumulation, and automobile tire handling systems. Roller conveyor will handle large castings, forgings, parts with flat or smooth bottoms, and pallet transfer systems.



Stacker Conveyor

Extreme quality range of **Stacker Conveyors** that we offer is available in different specifications. We offer these Stacker conveyors as per the requirement of our clients. We do customization of these Stacker Conveyors as per client's specification. These Stacker Conveyors are widely appreciated for high tensile strength, easy movement and durability.

High Angle Belt Conveyor

Our range of **High Angle Belt Conveyor** is an effective bulk handling equipment based on bucket belt type technology. Suitable for handling a variety of materials.

Features :

- Economical and practical
- The maximum inclination of 90 degree is possible without any spillage
- Applicable for short distance to a height of 100 meters
- Capacity : up to 500 TPH



Drag Chain Conveyor (Redler Conveyor)

A variety of special purpose **Chain Conveyors** are also manufactured to suit individual require Chains used on above conveyors vary in type. For instance, a slat conveyor uses pin & bush type with rollers, an overhead chain conveyor incorporates a special detachable chain assembly mints.



Belt Conveyor

We offered both type of **Belt Conveyor** open type and closed type. Belt conveyor is use for transfer the material powder, grain or lumps types of material. Conveyor belt in two, three or four ply in rubber material (M- 24 grade / PVC Food Grade).

Capacity Range:- Up to 1000 TPH with Customized design.

Slat Chain Conveyor

A variety of special purpose chain conveyors are also manufactured to suit individual require Chains used on above conveyors vary in type. For instance, a **Slat Conveyor** uses pin & bush type with rollers, an overhead chain conveyor incorporates a special detachable chain assembly mints.



Screw Conveyor

We are the manufacturer of **Screw Conveyor**. Our screw conveyor systems keep materials moving or mixed regardless of the demands of your material.

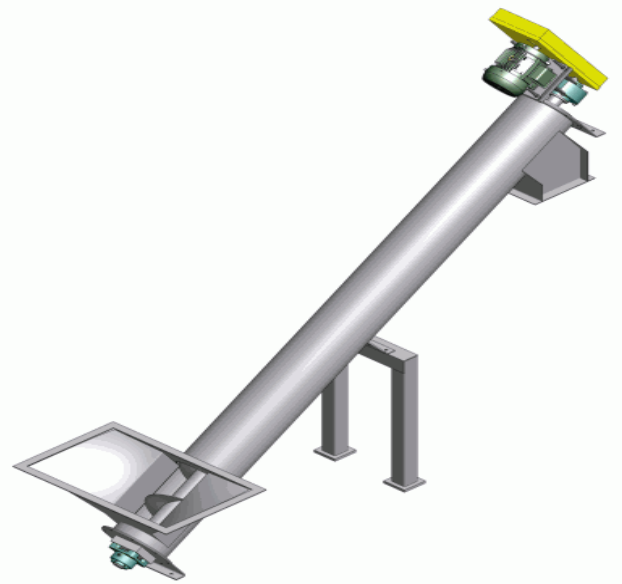
Accessories:

- Trough drop bottom
- Double pitch flight in outlet zone
- Intermediate slide bearings
- Intermediate hanger bearings with splined shaft

Tubular Screw Conveyor

With the expertise of our professionals we have been able to present this **SS / MS Screw Conveyor**. Made as per the standard configurations predefined by the industry the offered conveyor range has been widely demanded at major industries. We have incorporated some of the best components in this range for a smooth mechanism.





Techno Power Trunkey Projects

Salt Washery Plant

Biomass Handling System

Coal Handling Plant

Municipal Solid Waste
Recycle Plant



*Green India
My Dream India...!!!*



imperial
World Trade Pvt. Ltd.

Imperial World Trade Pvt. Ltd.
D-303, The Imperial Heights,
Opp. Big Bazaar, 150 ft. Ring Road,
Rajkot - 360005.Gujarat - INDIA.
Website: www.imperialworldtrade.com
Ph: 91 281 2589039 M:+91 9427726335